



C112

Subsea or Surface Cutting Chopsaw

Applications

Pipe - coated or bare
Jacket structures,
box sections etc.
Casing
Mooring chain
Solid bars
Umbilicals and cable

Features

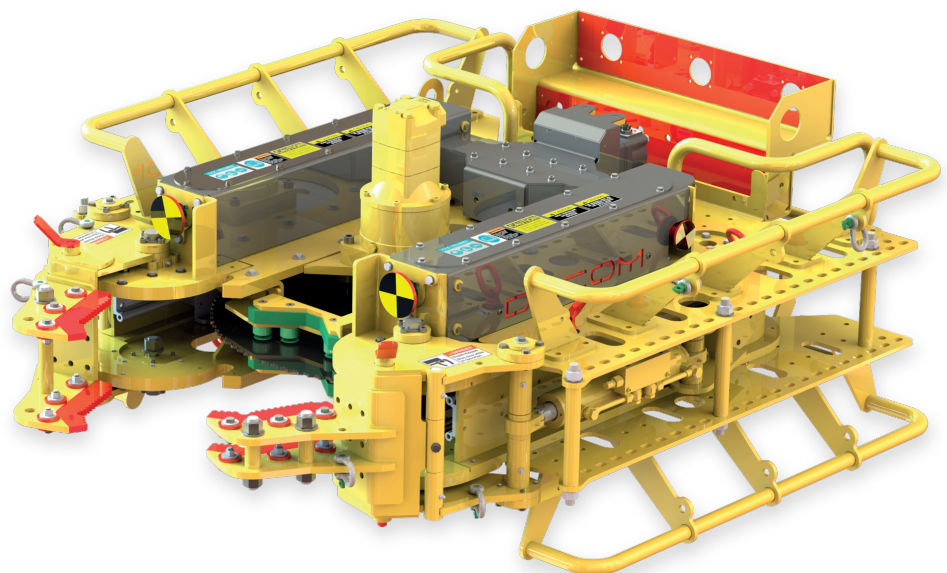
2" to 12" capacity
Fast and clean cut
Market leading cut times
Multiple cuts per blade: up to 100 depending on application
Topside or ROV operated
Operator-friendly control panel
Robust shipping cage with comprehensive spares boxes
Highly adaptable to suit surroundings and structures
Multiple lifting points located around the tool allowing a highly versatile angle of deployment'

Decom Engineering C1-12 Chopsaw Topside or ROV operated cutting tool

The Decom Engineering C1-12 Chopsaw has been designed to cut tubulars and other materials from 2" to 12". Its innovative design has produced market leading cut times across a wide range of materials including inconels, duplex, concrete and more.

Product benefits:

- Multiple cuts per blade, anywhere from 20 right up to 100 cuts per blade, application dependent - thus resulting in large cost savings and increases in efficiencies.
- Can complete an array of cuts whilst subsea or held in wet storage - without returning to the surface.
- Chopsaw comes with a comprehensive spares package, in a compact yet robust shipping cage.
- Unique water cooling system for surface cutting.
- The C1-12 Chopsaw can be supplied set up in a number of configurations and settings to suit project requirements and work scope.
- Customisable clamping system allowing the flexibility to clamp around a vast array of shapes and sizes.
- Blade change only takes 30 - 45 minutes.
- Can cut vertically or horizontally.

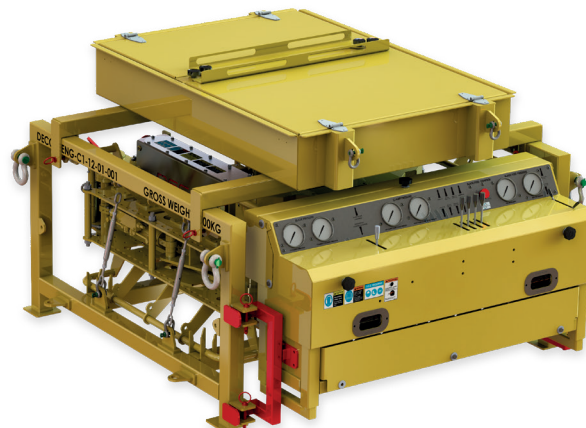
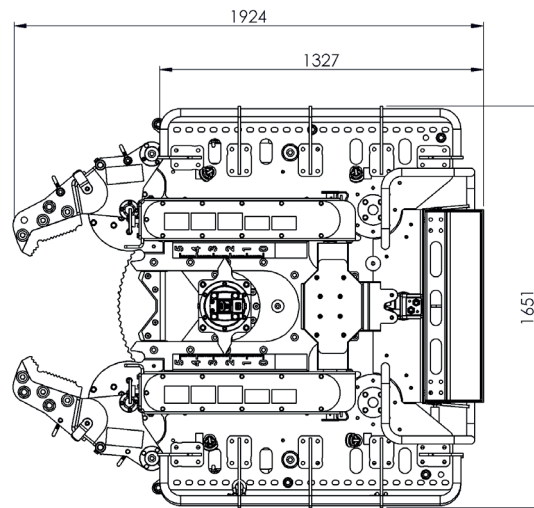
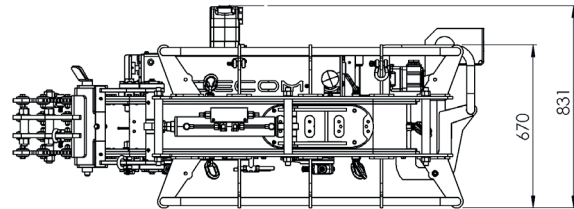


decomengineering.com



Decom Engineering C1-12 Chopsaw Specifications

C1-12" Saw	
Cutting capability	2" - 12" (50mm - 305mm)
Hydraulic requirements	100 L/min @ 210 bar
Weight in air	1,200kg
Weight in water (with buoyancy module)	50kg
Dimensions	1924mm x 1651mm x 831mm
Blade	900mm
Nominal RPM	60



55 Mullan Road, Cookstown,
Co. Tyrone, N. Ireland BT80 0JE
Telephone: +44 (0)2886738333
Email: sales@decomengineering.com

decomengineering.com